

skanfix

Skanfix designs and produces fasteners out of stainless steel for the construction industry, mainly for glass construction.

We store a broad range of standard components and can also offer customized solutions and products with the help of our own design and production teams.



Glass fittings
Point fixings
Balustrade fittings
Tension rods
Glass canopies
Contact information

Page
2
3
4
23
25
26



Glass fittings

45 x 45



45x45 Glass fitting / Flat

LK45.00.34.SA.***	AISI 304
LK45.00.36.SA.***	AISI 316
Brushed surface	



45x45 Glass fitting / D42,4

LK45.42.34.SA.***	AISI 304
LK45.42.36.SA.***	AISI 316
Brushed surface	



45x45 Glass fitting / Flat

LK45.00.ZN.NO.***	Zn
No surface finishing	



45x45 Glass fitting / Flat

LK45.00.ZN.SS.***	Zn
Stainless steel effect	



45x45 Glass fitting / D42,4

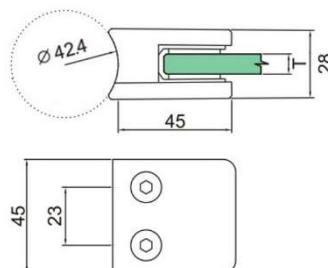
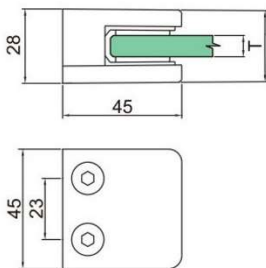
LK45.42.ZN.SS.***	Zn
Stainless steel effect	



45x45 Glass fitting / D42,4

LK45.42.ZN.NO.***	Zn
No surface finishing	

Measurements



Glass thickness

Replace *** with the glass thickness code when ordering

Code	Glass thickness (T)
060	6mm
080	8mm
876	8,76mm
100	10mm
176	10,76mm

Point fixings

Ø16 - 60 mm

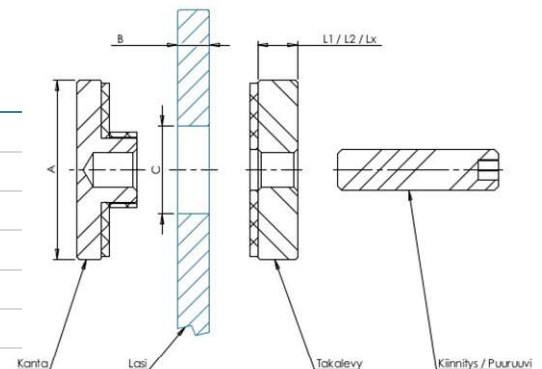


SKANFIX™ designs and produces point fixings out of stainless steel for fastening of different materials both indoors and outdoors. With point fixings you will easily and safely fasten glass railings, advertisement boards, background glass, stairs, glass canopies, sliding doors, etc. We also ship suiting fastening screws.

For more information please visit our website or contact us using the information below.

Standard point fixings:

Size (A)	Glass (B)	Hole (C)	L1 / L2	Material
PK16	4 - 9 mm	Ø 10 mm	4 / 6	AISI316 / AISI304
PK22	4 - 9 mm	Ø 12 mm	5 / 10	AISI316 / AISI304
PK30	6 - 14 mm	Ø 18 mm	5 / 10	AISI316 / AISI304
PK45	8 - 22 mm	Ø 22 mm	10 / 20	AISI316 / AISI304
PK50	8 - 24 mm	Ø 24 mm	10 / 25	AISI316 / AISI304
PK60	12 - 32 mm	Ø 26 mm	10 / 25	AISI316 / AISI304



L_x – Backplate can be manufactured according to customer specifications

Fasteners for metric- and wood thread:

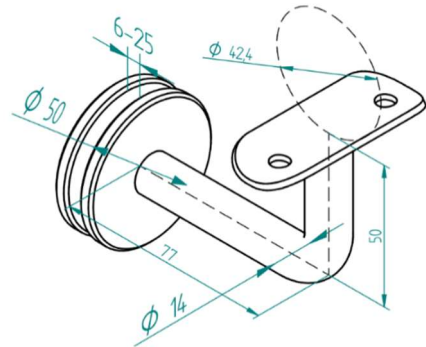
	Suits to fixing	Length (mm)			Material
M6 / M6	PK16; PK22	20	30	50	A4 / A2
M8 / M8	PK30	30	40	60	A4 / A2
M10 / M10	PK45; PK50	40	60	80	A4 / A2
M12 / M12	PK60	60	80	120	A4 / A2
M6 / wood	PK16; PK22	50	60	80	A4 / A2
M8 / wood	PK30	50	60	80	A4 / A2
M10 / wood	PK45; PK50	80	100	120	A4 / A2
M12 / wood	PK60	120	200	-	A4 / A2

Customized fastening solutions are also possible.



Balustrade fittings / AISI316

Glass mounted handrail bracket / 6 - 25 mm



KS1300.42.36

Glass mounted handrail bracket / D14 / 6 - 25 mm / D42,4 / AISI316

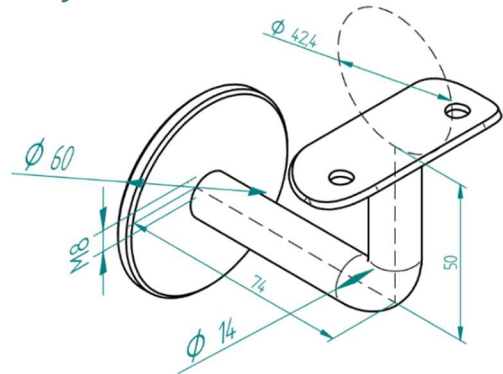
Ø
42,4mm

KS1300.00.36

Glass mounted handrail bracket / D14 / 6 - 25 mm / flat / AISI316

flat

Wall mounted handrail bracket / fastened by M8 thread



KS1200.42.36

Wall mounted handrail bracket / D14 / D42,4 / AISI316

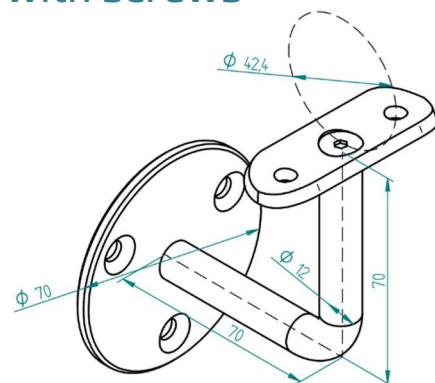
Ø
42,4mm

KS1200.00.36

Wall mounted handrail bracket / D14 / flat / AISI316

flat

Wall mounted handrail bracket / fastened with screws



KS1600.42.36

Wall mounted handrail bracket / D12 / D42,4 / AISI316

Ø
42,4mm

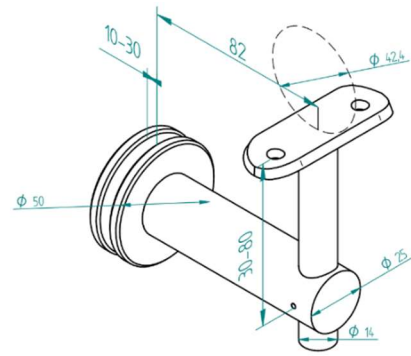
KS1600.00.36

Wall mounted handrail bracket / D12 / flat / AISI316

flat

Balustrade fittings / AISI316

Glass mounted handrail bracket / 10 - 30 mm

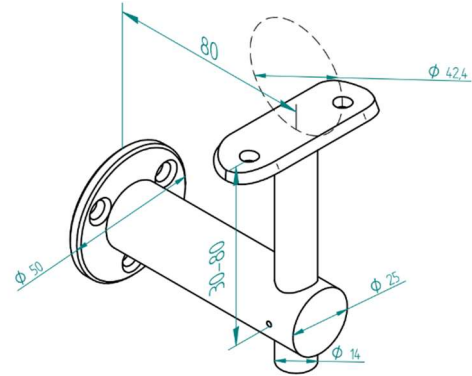


KS400.42.36
KS400.00.36

Glass mounted handrail bracket / 10 - 30 mm / D42,4 / AISI316
Glass mounted handrail bracket / 10 - 30 mm / flat / AISI316

∅
42,4mm
flat

Wall mounted handrail bracket / fastened with screws

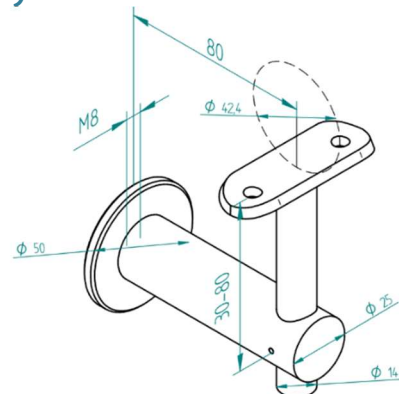


KS600.42.36
KS600.00.36

Wall mounted handrail bracket / D42,4 / AISI316
Wall mounted handrail bracket / flat / AISI316

∅
42,4mm
flat

Wall mounted handrail bracket / fastened by M8 thread



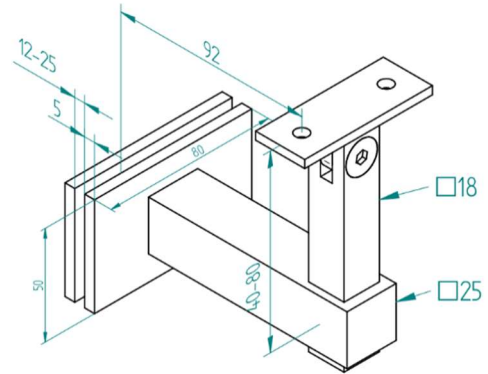
KS200.42.36
KS200.00.36

Wall mounted handrail bracket / M8 / D42,4 / AISI316
Wall mounted handrail bracket / M8 / flat / AISI316

∅
42,4mm
flat

Balustrade fittings / AISI316

Glass mounted handrail bracket / 12 - 25 mm

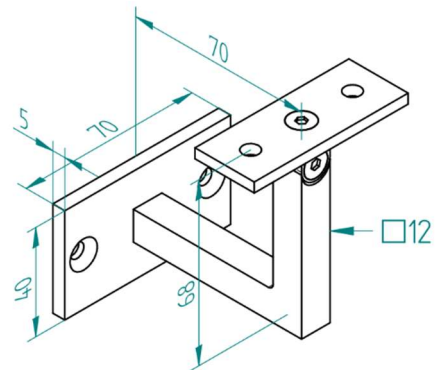


KS2100.00.36

Glass mounted handrail bracket / 18x18 / 12 - 25 mm / flat / AISI316

∅
flat

Wall mounted handrail bracket / fastened with screws



KS2300.00.36

Wall mounted handrail bracket / 12x12 / flat / AISI316

flat

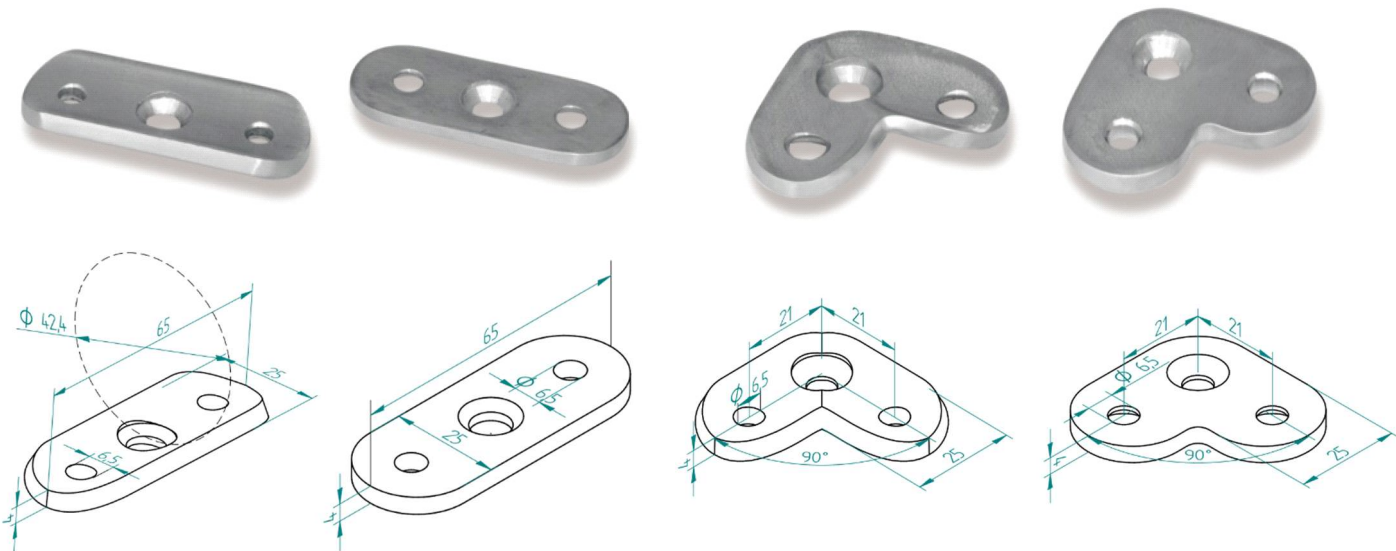
Balustrade fittings / AISI316

Neck with saddle D12



KK212.042.36	Handrail post bracket D12 / 180° / D42,4 / AISI316	42,4mm
KK212.000.36	Handrail post bracket D12 / 180° / flat / AISI316	Flat
KK412.042.36	Handrail post bracket D12 / 90° / D42,4 / AISI316	42,4mm
KK412.000.36	Handrail post bracket D12 / 90° / flat / AISI316	Flat
KK112.042.36	Handrail post bracket D12 with joint / 180° / D42,4 / AISI316	42,4mm
KK112.000.36	Handrail post bracket D12 with joint / 180° / flat / AISI316	Flat

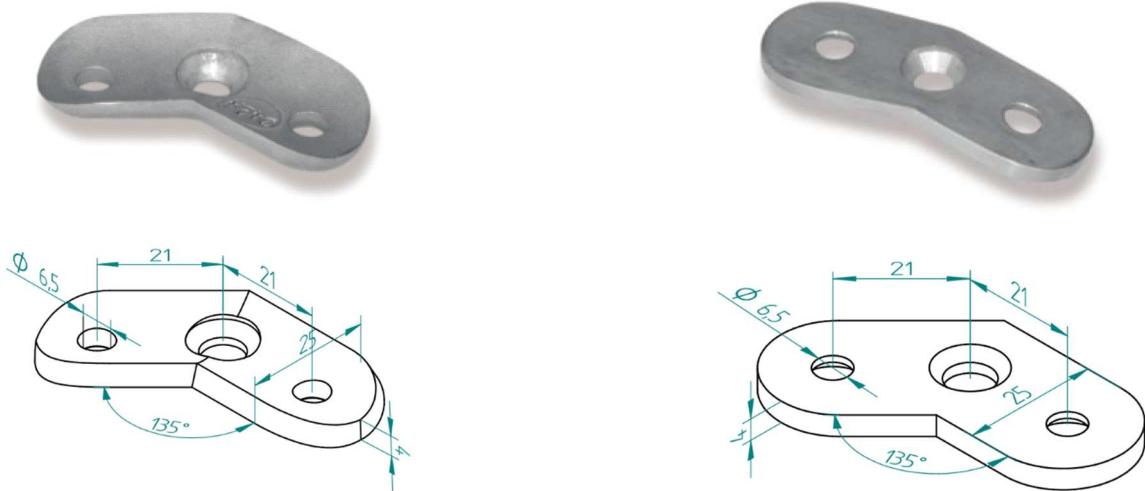
Bracket saddle 180° & 90°



SA112.042.36	Saddle 180° / D42,4 / AISI316	42,4mm
SA012.000.36	Saddle 180° / flat / AISI316	Flat
SA512.042.36	Saddle 90° / D42,4 / AISI316	42,4mm
SA412.000.36	Saddle 90° / flat / AISI316	Flat

Balustrade fittings / AISI316

Bracket saddle 135°

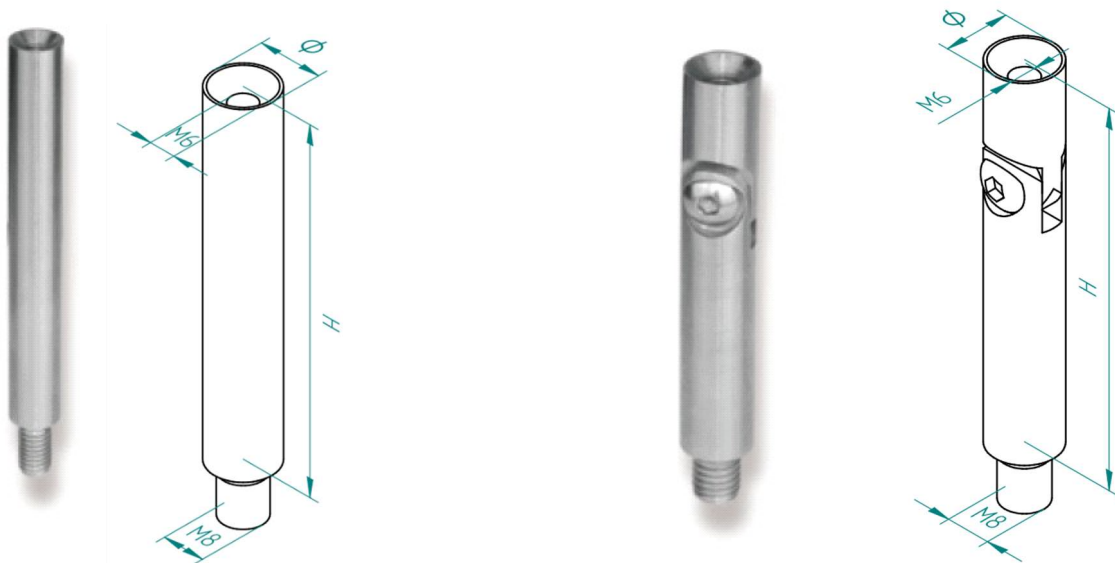


SA312.042.36 Saddle 135° / D42,4 / AISI316

SA212.000.36 Saddle 135° / flat / AISI316

Ø
42,4mm
flat

Neck bar D12



KA121.68.36 Neck bar D12 / M8 / AISI316

KA120.68.36 Neck bar D12 / M8 / adjustable / AISI316

H
68mm
68mm

Balustrade fittings / AISI316

Neck bar 12x12



KA123.68.36

Neck bar 12x12 / M8 / AISI316

H

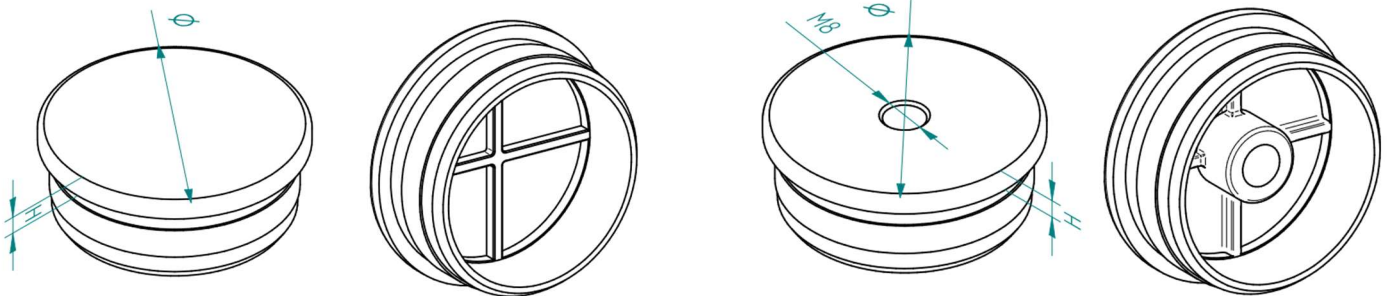
68mm

KA122.68.36

Neck bar 12x12 / M8 / Adjustable / AISI316

68mm

End cap / 42,4 x 2 mm



PN220.42.36

End cap D42,4 / AISI316

H

3 mm

Ø

42,4 mm

PNK220.42.36

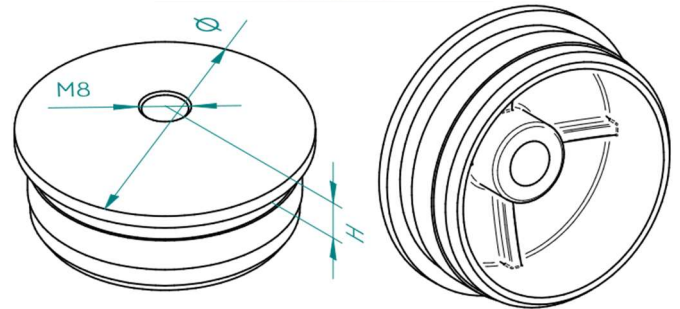
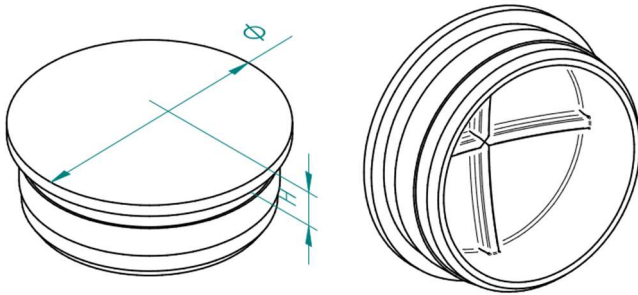
End cap D42,4 / M8 hole / AISI316

3 mm

42,4 mm

Balustrade fittings / AISI316

End cap / 42,4 x 2 mm

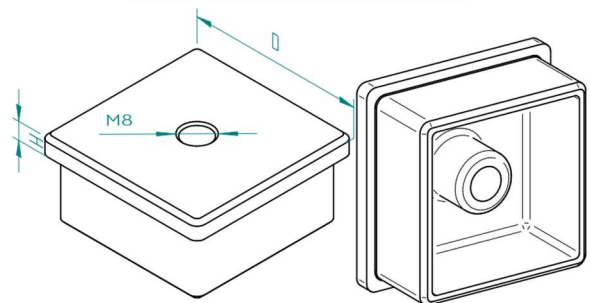
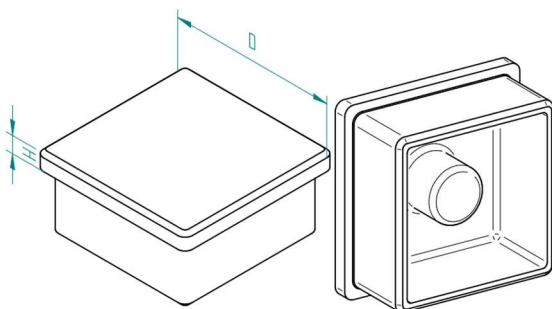


PN120.42.36
PNK120.42.36

End cap D42,4 / rounded / AISI316
End cap D42,4 / rounded / M8 hole / AISI316

H	Ø
3 mm	42,4 mm
3 mm	42,4 mm

End cap / 40x40



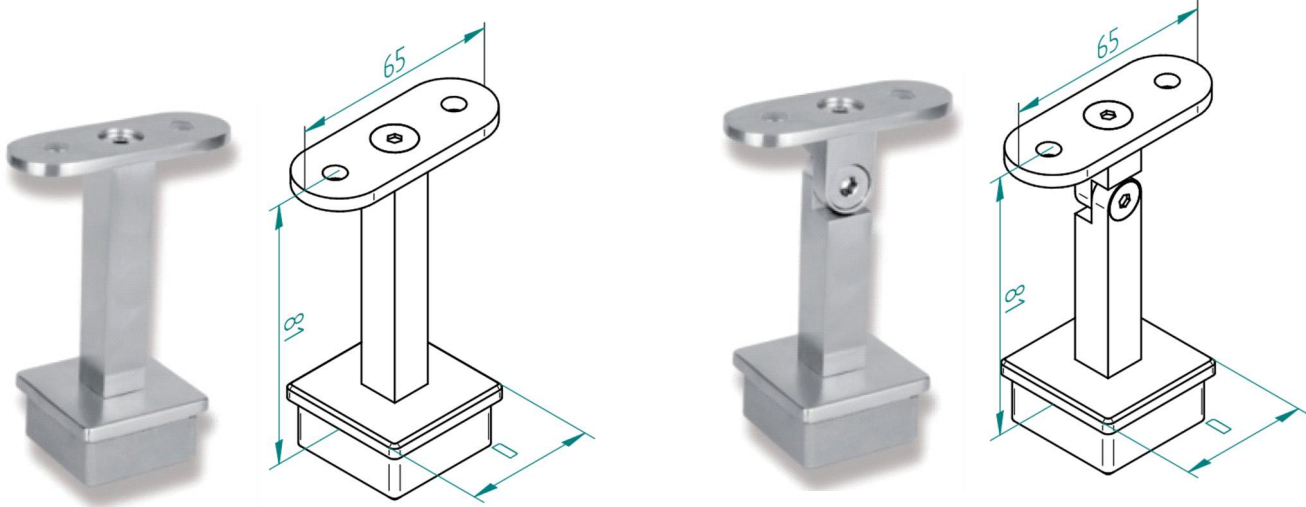
PN122.40.36
PN132.40.36

End cap square / 40 x 40 / AISI316
End cap square / 40 x 40 / M8 hole / AISI316

H	D
4 mm	40 x 40 mm
4 mm	40 x 40 mm

Balustrade fittings / AISI316

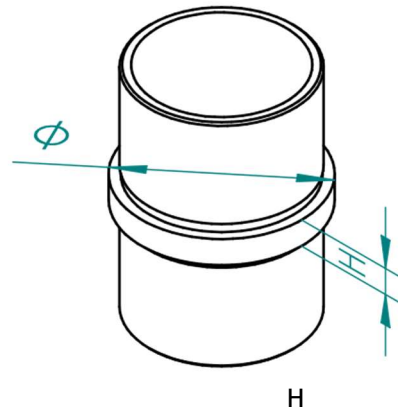
Saddle with neck 12x12



		D
KK1020.40.36	Saddle with neck / 12x12 / 180° / flat / 40x40 End cap / AISI316	40 x 40 mm
KK1120.40.36	Saddle with neck / 12x12 / adjustable / 180° / flat / 40x40 End cap / AISI316	40 x 40 mm

Balustrade fittings / AISI316

Tube connector straight / D42,4

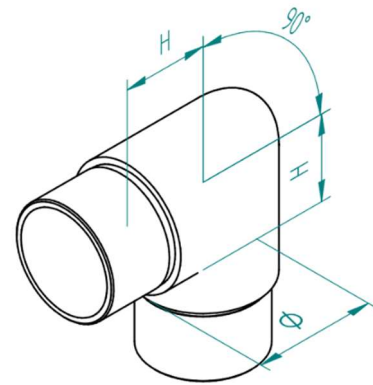


LK112.42.36

Tube connector / D42,4 / straight / AISI316

ø
42,4mm

Tube connector 90° sharp / D42,4

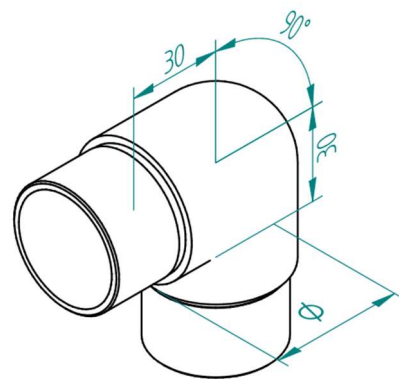


LK120.42.36

Tube connector / D42,4 / 90° / sharp corner / AISI316

H
30 ø
42,4mm

Tube connector 90° rounded / D42,4



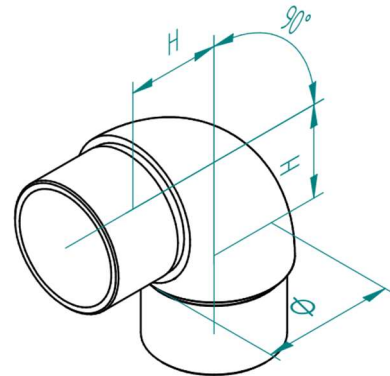
LK220.42.36

Tube connector / D42,4 / 90° / rounded corner / AISI316

H
30 ø
42,4mm

Balustrade fittings / AISI316

Tube connector 90° bend / D42,4

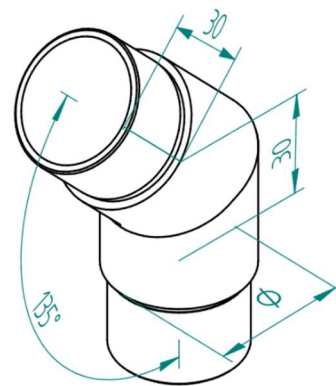


LK320.42.36

Tube connector / D42,4 / 90° / bend / AISI316

H 30
Ø 42,4mm

Tube connector 135° / D42,4

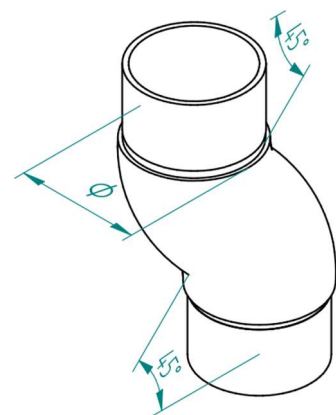


LK420.42.36

Tube connector / D42,4 / 135° / sharp corner / AISI316

H 30
Ø 42,4mm

Tube connector adjustable 3D / D42,4



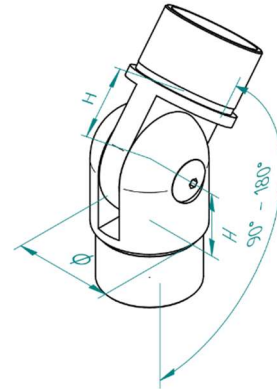
LKS020.42.36

Tube connector / D42,4 / adjustable 3D / bend / AISI316

H 60
Ø 42,4mm

Balustrade fittings / AISI316

Tube connector adjustable / D42,4



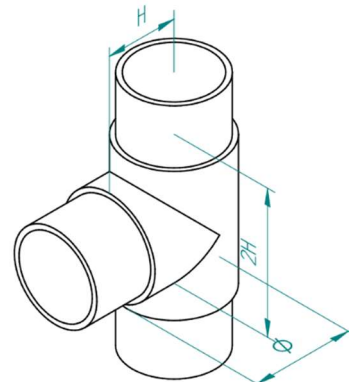
LK5120.42.36

Tube connector / D42,4 / adjustable / rounded corner / AISI316

H
30

ø
42,4mm

Tube connector 3-point / 180° / D42,4



LK620.42.36

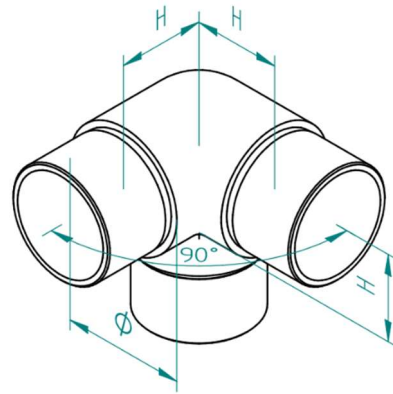
Tube connector / D42,4 / 3-point / 180° / AISI316

H
27

ø
42,4mm

Balustrade fittings / AISI316

Tube connector 3-point 90° / D42,4



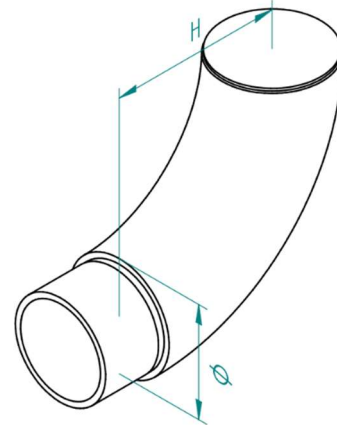
LK520.42.36

Tube connector / D42,4 / 3-point / 90° / AISI316

H
30

Ø
42,4mm

End cap D42,4



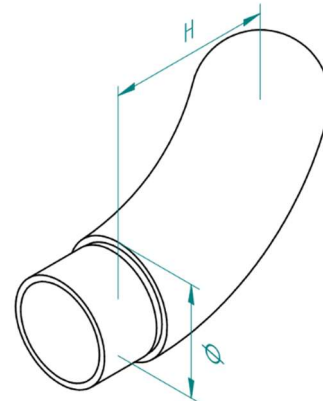
KP142.42.36

End cap D42,4 / 90° / AISI316

H
65

Ø
42,4mm

End cap 90° D42,4 rounded



KP152.42.36

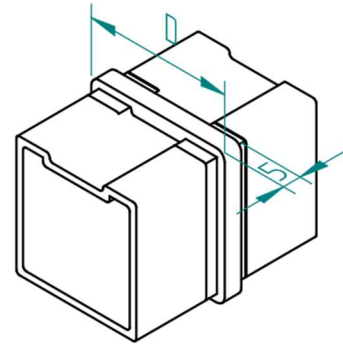
End cap D42,4 / 90° / rounded / AISI316

H
65

Ø
42,4mm

Balustrade fittings / AISI316

Tube connector straight / 40x40

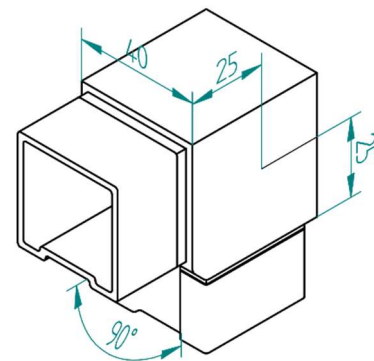


LK220.40.36

Tube connector / 40x40 / straight / AISI316

D
40 x 40 x 2

Tube connector 90° / 40x40

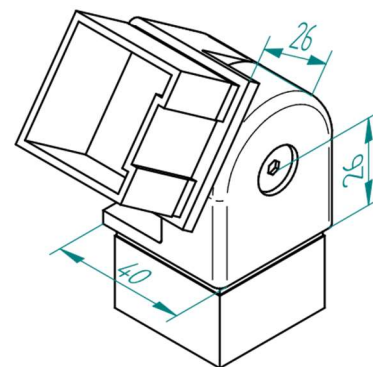


LK020.40.36

Tube connector / 40x40 / 90° / AISI316

D
40 x 40 x 2

Tube connector 90° / 40x40 / adjustable



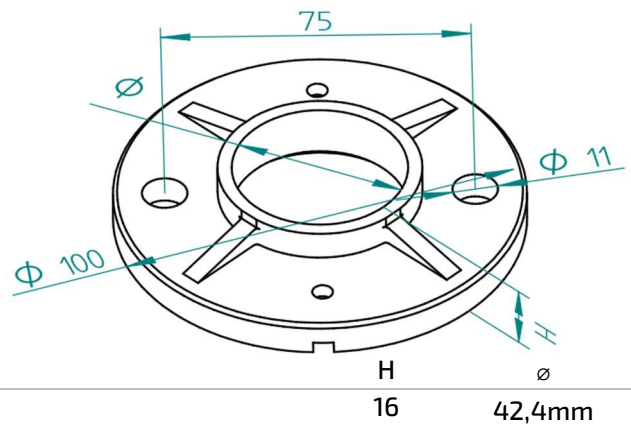
LK120.40.36

Tube connector / 40x40 / 90° / adjustable / AISI316

D
40 x 40 x 2

Balustrade fittings / AISI316

Floor base plate D42,4

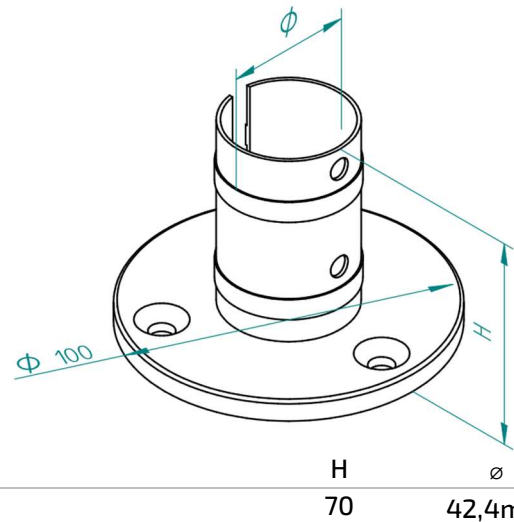


PK900.42.36

Floor base plate / D42,4 / AISI316

H 16
ø 42,4mm

Floor base plate D42,4 / inner

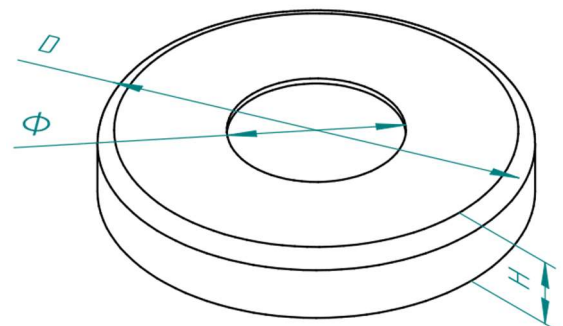


PK830.42.36

Floor base plate / D42,4 / inner / AISI316

H 70
ø 42,4mm

Base plate cover D42,4



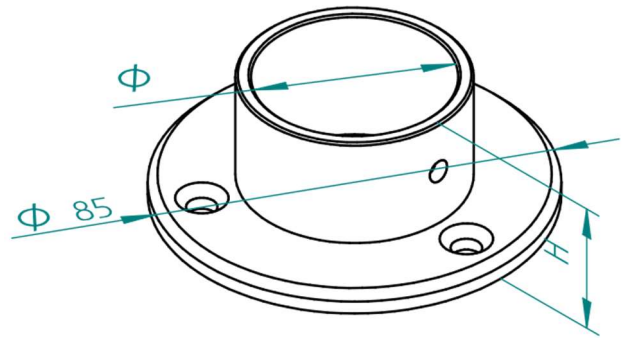
LK015.42.36

Base plate cover / D42,4 / AISI316

H 18
D 105
ø 42,4mm

Balustrade fittings / AISI316

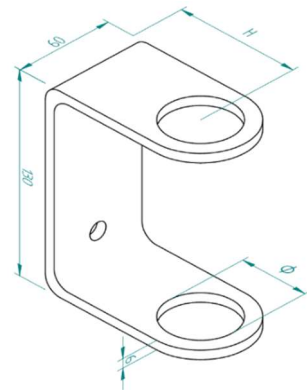
Base plate D42,4



PK300.42.36	Base plate / D42,4 / H30 / AISI316
PK400.42.36	Base plate / D42,4 / H25 / AISI316

H	\emptyset
30	42,4mm
25	42,4mm

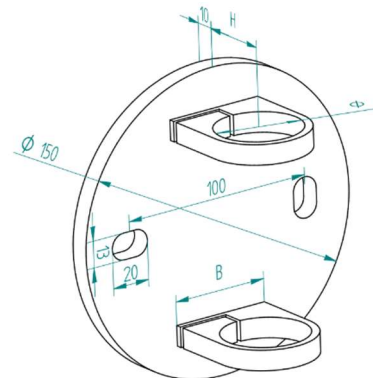
Tube clamp D42,4 / simple



PK140.42.36	Tube clamp / D42,4 / simple / AISI316
--------------------	---------------------------------------

H	\emptyset
	42,4mm

Tube clamp D42,4

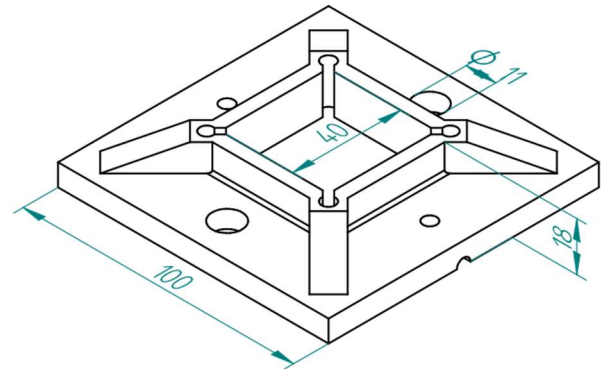


PK120.42.36	Tube clamp / D42,4 / AISI316
--------------------	------------------------------

B	H	\emptyset
50	35	42,4mm

Balustrade fittings / AISI316

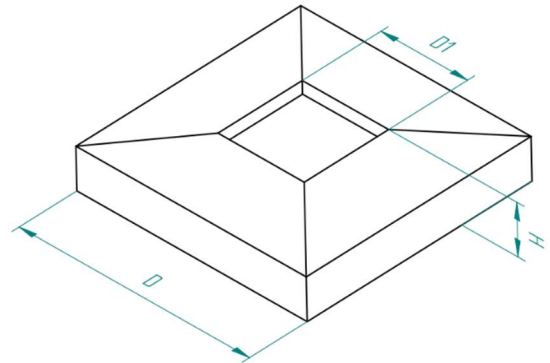
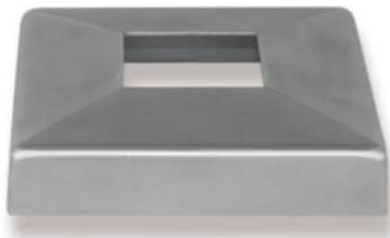
Floor base plate 40x40



PK100.40.36 Floor base plate / 40x40 / AISI316

H	D
18	40 x 40 x 2

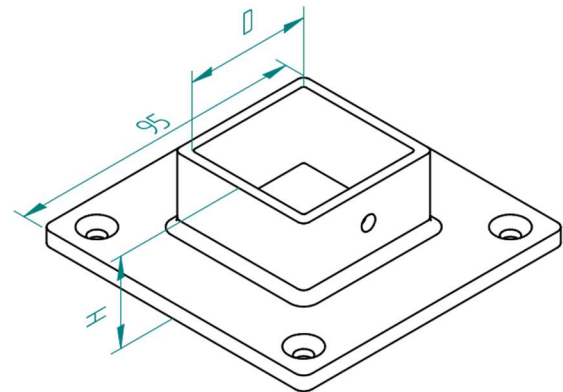
Base plate cover 40 x 40



LK115.40.36 Base plate cover / 40x40 / AISI316

D
40 x 40 x 2

Base plate 40x40

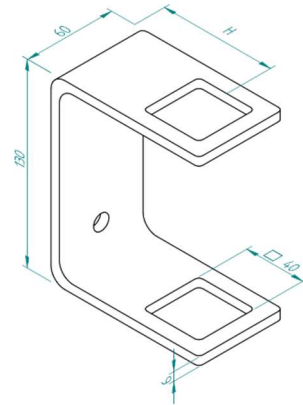


PK600.40.36 Base plate / 40x40 / AISI316

H	D
29	40 x 40 x 2

Tube clamp 40x40 / simple

Balustrade fittings / AISI316



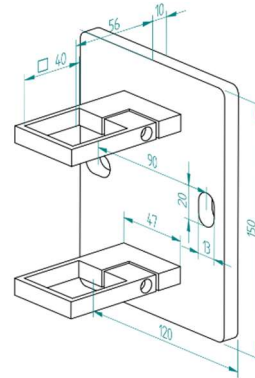
PK150.40.36

Tube clamp / 40x40 / simple / AISI316

D

40 x 40 x 2

Tube clamp 40x40



PK1300.40.36

Tube clamp / 40x40 / AISI316

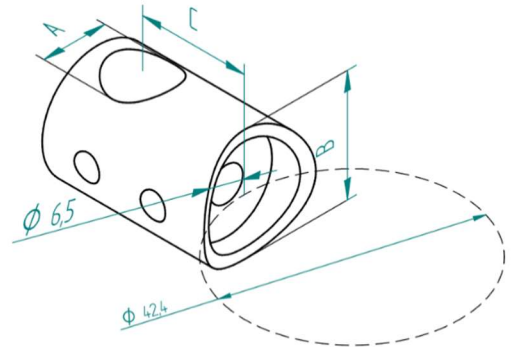
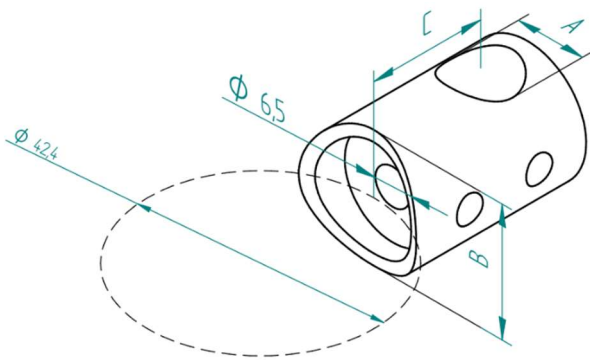
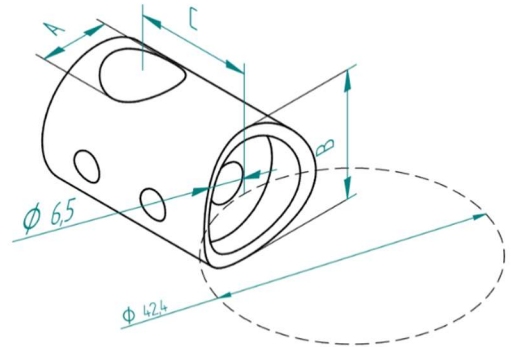
D

40 x 40 x 2



Balustrade fittings / AISI316

Bar holders



PTP12.00.36	Bar holder / D12 / flat / AISI316
PTPL12.42.36	Bar holder / D12 / D42,4 / left / AISI316
PTPR12.42.36	Bar holder / D12 / D42,4 / right / AISI316
PTPL12.00.36	Bar holder / D12 / flat / left / AISI316
PTPR12.00.36	Bar holder / D12 / flat / right / AISI316
PTP12.42.36	Bar holder / D12 / D42,4 / AISI316

Balustrade fittings / AISI316

Glass mounted handrail



KJ615.42.36

Handrail D42,4 1m / AISI316

∅
42,4mm

KJT716.42

Handrail seal / 24 mm / Glass 16-17,5 mm

KJT720.42

Handrail seal / 24 mm / Glass 20-21,5 mm

Handrail tubes



PK830.42.36

Tube D42,4 / AISI316 / brushed / L 3000

∅
42,4mm

PU42.6000.36

Tube D42,4 / AISI316 / brushed / L 6000

42,4mm

PU40.3000.36

Tube 40x40x2 / AISI316 / brushed / L 3000

40x40x2

PU40.6000.36

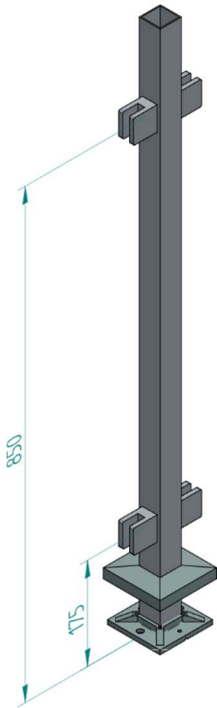
Tube 40x40x2 / AISI316 / brushed / L 6000

40x40x2

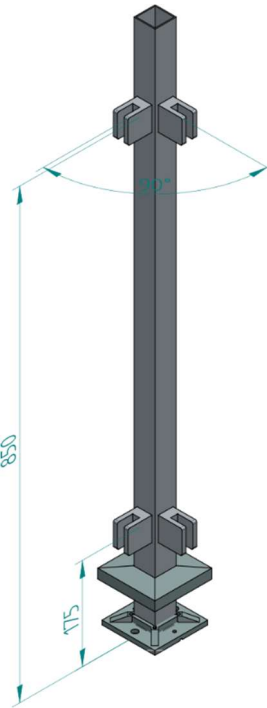
Railings



Railings



Code
KT40.**

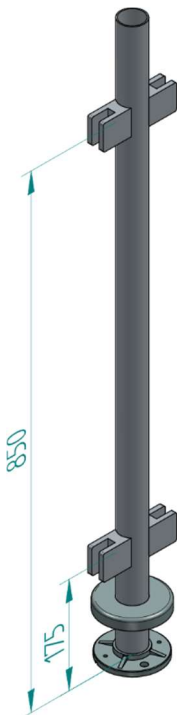


Description
Railing post 40x40x2

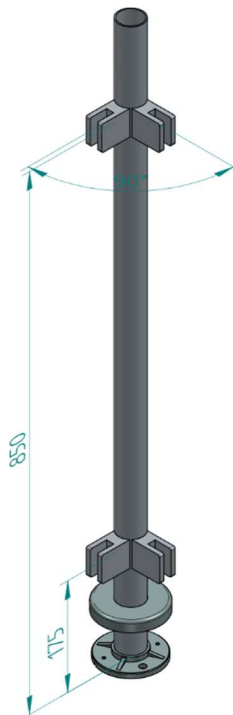
Part list

Part No.	Amount
Sample code	1
LK45.00	4
PK100.40.36	1
LK115.40.36	1

D
40x40x2



Code
KT42.**



Description
Railing post D42,4

Part list

Part No.	Amount
Sample code	1
LK45.42	4
PK900.42.36	1
LK015.42.36	1

∅
42,4mm

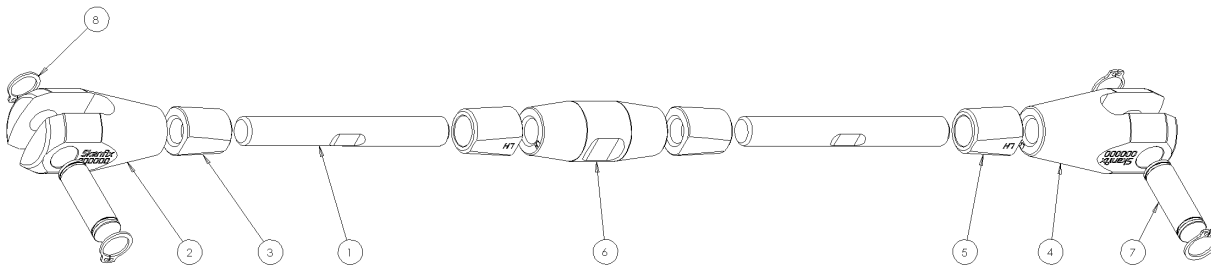
Tension rods

VT12 – VT36

- Material 1.4301 (AISI304) or 1.4404 (AISI316)
- Rod diameters are \varnothing 6–36 mm
- CNC machined components
- Room for adjustment; left- and right-handed threads in the ends
- Additional adjustments can be made with the tightening socket.
- ISO 9001 and ISO 14001 certified production
- CE



Tension rod parts



1. Tension rod

2. Yoke, right-handed thread

3. Jam nut, right-handed thread

4. Yoke, left-handed thread

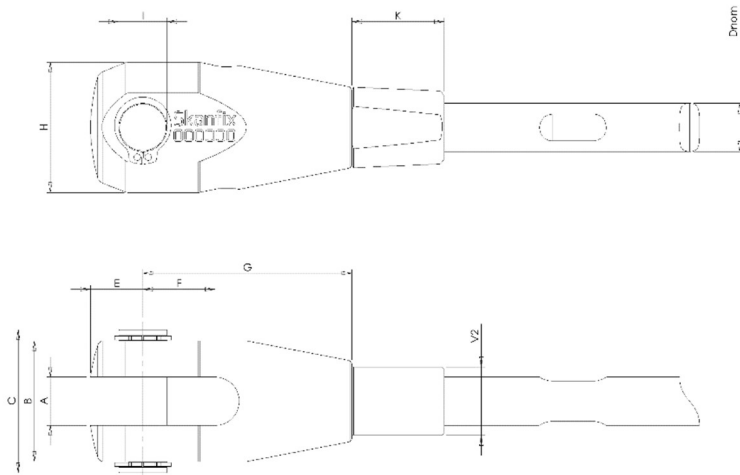
5. Jam nut, left-handed thread

6. Joint- / Tightening socket

7. Tap

8. Circlip

Yoke measurements

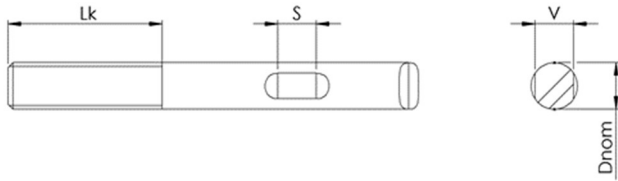


	VT1	VT16	VT20	VT24	VT27	VT30	VT36
2							
D	12	16	20	24	27	30	36
A	12	16	20	24	27	30	36
B	30	38	47	51	56	64	78
C	35,6	44	53	57	62	70	85,6
E	13	16	20	23	27	30	36
F	18	24	30	32	35	37	44
G	52	64	80	92	112	115	138
H	34,5	45	54,5	59,5	64,5	74,5	89,5
I	12	14	17	20	22,9	24,9	30,3
K	23	27	31	36	42	47	60

(mm)

Tension rods

Rod measurements

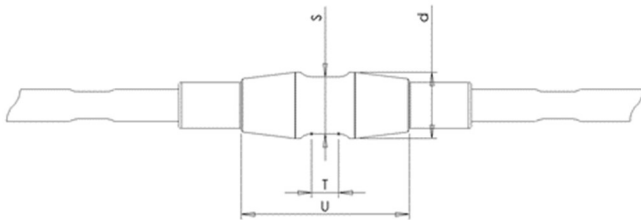


	VT12	VT16	VT20	VT24	VT27	VT30	VT36
D (mm)	12	16	20	24	27	30	36
F_L (kN)	34,2	60,4	92,7	133,4	169,7	201,3	289,7
F_r (kN)	68,3	125,6		292,0			
Lk (mm)	40	50	60	70	80	90	110
S (mm)	10	12	14	16	18	20	22
V (mm)	10	13	17	19	24	27	32

F_L = Calculated minimum tensile strength

F_r = Tested tensile strength (test report 17-6_EMK_16_18 26.04.2016)

Tightening socket measurements



(mm)	VT12	VT16	VT20	VT24	VT27	VT30	VT36
Dnom	12	16	20	24	27	30	36
S	21	24	30	39	43	48	58
d	24,5	27,5	34,5	44,5	49,5	54,5	64,5
T	10	12	16	13	16	20	28
U	62	75	94	106	119	130	155

Tension rod room of adjustment

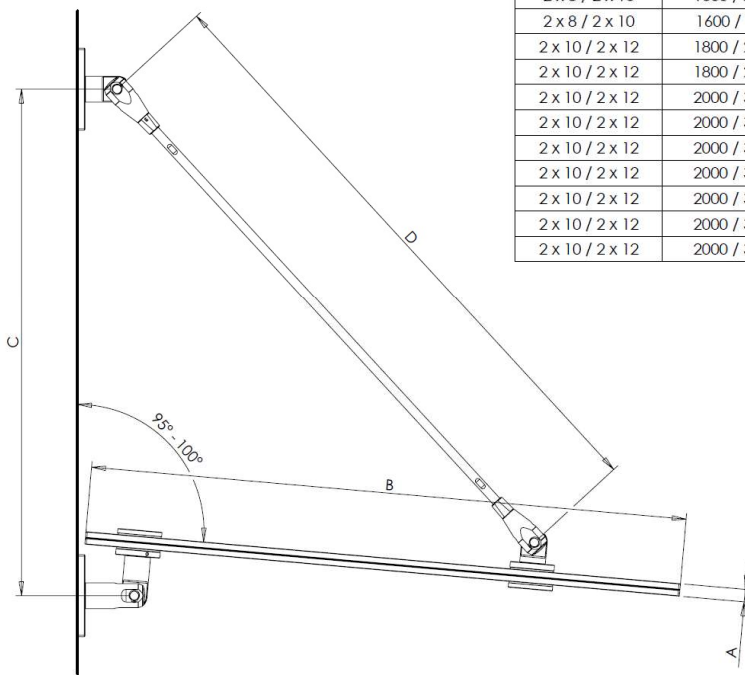
	VT12	VT16	VT20	VT24	VT27	VT30	VT36
		6		4	7		6
Room of adjustment without socket (mm, one rod and two yokes)	±14,25	±18	±19,5	±22	±27	±30,5	±40
Room of adjustment with socket (mm, two rods and two yokes)	±28,5	±36	±39	±44	±54	±61	±80

Glass canopies

Skanfix™ – Glass canopy systems are made with the highest quality of acid-proof steel in our own production facilities. The quality check in our facilities assure the best quality and safety. The materials are chosen and designed with the Nordic weather circumstances in mind, with safety at top priority.

The stylish and minimalistic Nordic design is timeless and preserves its value.

Skanfix – Glass canopy is based on a modular system, from which it is easy to form customer specific solutions.



A	Lasin leveys	B	Lasihelat*	C	D
2 x 8 / 2 x 10	1600 / 2400	800	4 / 6	680	825
2 x 8 / 2 x 10	1600 / 2400	900	4 / 6	550	825
2 x 8 / 2 x 10	1600 / 2400	1000	4 / 6	770	1005
2 x 8 / 2 x 10	1600 / 2400	1100	4 / 6	640	1005
2 x 10 / 2 x 12	1800 / 2700	1200	4 / 6	950	1180
2 x 10 / 2 x 12	1800 / 2700	1300	4 / 6	830	1180
2 x 10 / 2 x 12	2000 / 3300	1400	4 / 6	1300	1555
2 x 10 / 2 x 12	2000 / 3300	1500	4 / 6	1200	1555
2 x 10 / 2 x 12	2000 / 3300	1600	4 / 6	1090	1555
2 x 10 / 2 x 12	2000 / 3300	1700	4 / 6	1660	2040
2 x 10 / 2 x 12	2000 / 3300	1800	4 / 6	1560	2040
2 x 10 / 2 x 12	2000 / 3300	1900	4 / 6	1460	2040
2 x 10 / 2 x 12	2000 / 3300	2000	4 / 6	1340	2040

* - Lasin leveys: 1600 - 2000mm min. 4 lasihelat
2400 - 3300mm min. 6 lasihelat

Skafix – Finland

+358 40 7732039
+358 40 7734310

Skafixings Suomi Oy
Vattuniemenkatu 15 A
00210 Helsinki
Finland

info@skafix.com

Skafix – Estonia

+372 5250878

Skafix Oü
Sära tee 8, Peetri,
75312 Harjumaa,
ESTONIA

info@skafix.com